

0.75" DIAMETER STAINLESS STEEL COMPRESSION LOAD CELL 0-25 TO 0-1,000 LB CAPACITIES

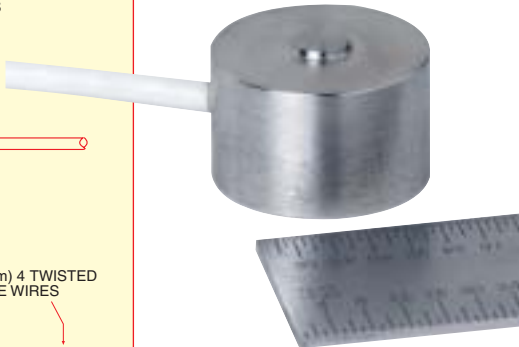
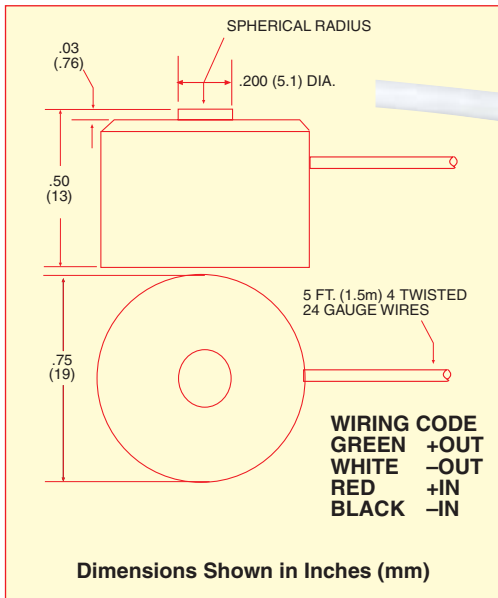
LC302
\$295
Model Shown



LC302 Series
Compression
0-25 lb to 0-1,000 lb
0-100 N to 0-4,500 N

1 Newton = 0.2248 lb
1 daNewton = 10 Newtons
1 lb = 454 g
1 t = 1000 kg = 2204 lb

- ✓ Small 0.75" (19 mm) Dia.
- ✓ Low 0.5" (13 mm) Profile
- ✓ Robotic and Test Bench Applications
- ✓ Built in Load Button for Easy Installation
- ✓ 5-Point Traceable Calibration Provided



Model LC302-50
Shown larger than actual size
with DP25-S panel meter, \$245,
see Section D for full details

The LC302 Series is only 3/4" (19 mm) in diameter and fits in the smallest places. Its high ±0.5% accuracy and small package solve many industrial force measurement applications. All stainless steel construction and high quality strain gage assures long term reliability in industrial environments.

Bridge Resistance: 350 Ω minimum
Construction: Stainless Steel
Electrical:
5 ft (1.5 m) 4 twisted 24 ga. color coded, insulated wires

SPECIFICATIONS:

Excitation: 10 Vdc, 15 Vdc max
Output: 1 mV/V (nominal)
Accuracy: ±0.5% FSO Linearity, Hysteresis, Repeatability Combined

5-Point Calibration:
0%, 50%, 100%, 50%, 0%

Zero Balance: ±2% FSO

Operating Temp Range:
-54 to 107°C (-65 to 225°F)

Compensated Temp Range:
16 to 71°C (60 to 160°F)

Thermal Effects:

Zero: 0.005% FSO/°F

Span: 0.02% FSO/°F

Safe Overload: 150% of Capacity

Ultimate Overload: 300% of Capacity

Most Popular Models Highlighted

To Order (Specify Model Number)

CAPACITY (lb)	MODEL NO.	PRICE	COMPATIBLE METERS*
0 to 25	LC302-25	\$295	DP41-W, DP41-S, DP25-S
0 to 50	LC302-50	295	DP41-W, DP41-S, DP25-S
0 to 100	LC302-100	295	DP41-W, DP41-S, DP25-S
0 to 250	LC302-250	295	DP41-W, DP41-S, DP25-S
0 to 500	LC302-500	295	DP41-W, DP41-S, DP25-S
0 to 1,000	LC302-1K	295	DP41-W, DP41-S, DP25-S

Metric Ranges Available - Consult Engineering

*See Section D For Compatible Meters

Ordering Examples:

- 1) LC302-25 is a 25 lb capacity load cell, \$295.
- 2) LC302-100 is a 100 lb capacity load cell, \$295.



UNITED STATES

www.omega.com
1-800-TC-OMEGA
Stamford, CT.

CANADA

www.omega.ca
Laval(Quebec)
1-800-TC-OMEGA

GERMANY

www.omega.de
Deckenpfronn, Germany
0800-8266342

UNITED KINGDOM

www.omega.co.uk
Manchester, England
0800-488-488

FRANCE

www.omega.fr
Guyancourt, France
088-466-342

CZECH REPUBLIC

www.omegaeng.cz
Karviná, Czech Republic
596-311-899

BENELUX

www.omega.nl
Amstelveen, NL
0800-099-33-44



More than 100,000 Products Available!

• Temperature

Calibrators, Connectors, General Test and Measurement Instruments, Glass Bulb Thermometers, Handheld Instruments for Temperature Measurement, Ice Point References, Indicating Labels, Crayons, Cements and Lacquers, Infrared Temperature Measurement Instruments, Recorders Relative Humidity Measurement Instruments, RTD Probes, Elements and Assemblies, Temperature & Process Meters, Timers and Counters, Temperature and Process Controllers and Power Switching Devices, Thermistor Elements, Probes and Assemblies, Thermocouples Thermowells and Head and Well Assemblies, Transmitters, Wire

• Flow and Level

Air Velocity Indicators, Doppler Flowmeters, Level Measurement, Magnetic Flowmeters, Mass Flowmeters, Pitot Tubes, Pumps, Rotameters, Turbine and Paddle Wheel Flowmeters, Ultrasonic Flowmeters, Valves, Variable Area Flowmeters, Vortex Shedding Flowmeters

• pH and Conductivity

Conductivity Instrumentation, Dissolved Oxygen Instrumentation, Environmental Instrumentation, pH Electrodes and Instruments, Water and Soil Analysis Instrumentation

• Data Acquisition

Auto-Dialers and Alarm Monitoring Systems, Communication Products and Converters, Data Acquisition and Analysis Software, Data Loggers Plug-in Cards, Signal Conditioners, USB, RS232, RS485 and Parallel Port Data Acquisition Systems, Wireless Transmitters and Receivers

• Pressure, Strain and Force

Displacement Transducers, Dynamic Measurement Force Sensors, Instrumentation for Pressure and Strain Measurements, Load Cells, Pressure Gauges, Pressure Reference Section, Pressure Switches, Pressure Transducers, Proximity Transducers, Regulators, Strain Gages, Torque Transducers, Valves

• Heaters

Band Heaters, Cartridge Heaters, Circulation Heaters, Comfort Heaters, Controllers, Meters and Switching Devices, Flexible Heaters, General Test and Measurement Instruments, Heater Hook-up Wire, Heating Cable Systems, Immersion Heaters, Process Air and Duct, Heaters, Radiant Heaters, Strip Heaters, Tubular Heaters